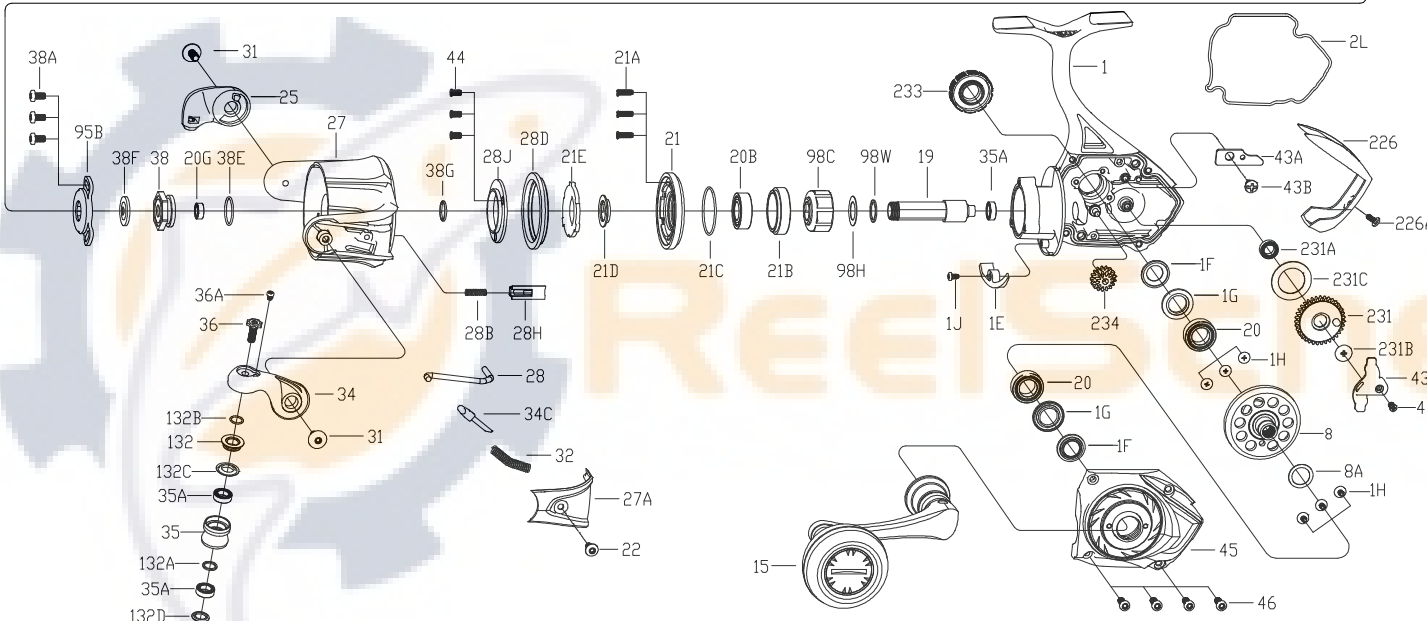
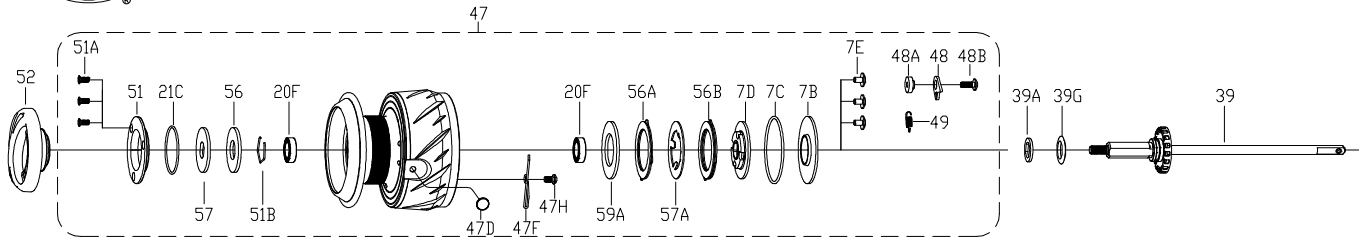




PARTS LIST FOR MODEL ATH4500HS



KEY NO.	PART NO.	PENN STYLE NO.	DESCRIPTION
28B	1489193	28B-SSV13500	Rotor Brake Spring
28D	1578086	28D-ATH3500	Rotor Brake
28H	1489194	28D-SSV13500	Rotor Brake
28J	1578087	28J-ATH3500	Bearing Retainer
31	1578088	31-ATH3500	Bail Arm Screw (2 req)
32	1191586	32-3000SG	Ball Spring
34	1578089	34-ATH3500	Bail Arm
34C	1489198	34C-SSV13500	Pivot Arm
35	1578090	35-ATH3500	Line Roller
35A	1577906	35A-ATH2500	Roller Bearing (3 req)
36	1577831	36-ATH7500	Bail Stud Screw
36A	1577832	36A-ATH7500	Bail Stud Screw
38	1577909	38-ATH2500	Rotor Nut
38A	1577834	38A-ATH7500	Rotor Nut Cover Screw (3 req)
38E	1489203	38E-SSV13500	Rotor O Ring
38F	1577911	38F-ATH2500	Main Shaft Seal Ring
38G	1577912	38G-ATH2500	Main Shaft Seal Ring
39	1578115	39-ATH4500	Main Shaft Assembly
39A	1578092	39A-ATH3500	Thrust Washer
39G	1489209	39G-SSV13500	Spool Seal Ring
43	1578093	43-ATH3500	Crosswind Block
43A	1578094	43A-ATH3500	Crosswind Block Plate
43B	1489213	43B-SSV13500	Crosswind Block Plate Screw
44	1489214	44-SSV13500	Crosswind Block Screw (4 req)
45	1578095	45-ATH3500	Housing Cover Assembly
46	1577918	46-ATH2500	Bearing Retainer Screw (4 req)
47	1578124	47-ATH4500HS	Spool Assembly
47D	1489217	47D-SSV13500	Line Clip
47F	1489218	47F-SSV13500	Line Clip Spring
47H	1578097	47H-ATH3500	Line Clip Spring Screw
48	1211604	48-3000SG	Click Tongue
48A	1578098	48A-ATH3500	Click Tongue Washer
48B	1578099	48B-ATH3500	Screw
49	1211605	49-3000SG	Click Tongue Spring
51	1577923	51-ATH2500	Drag Retaining Ring
51A	1577924	51A-ATH2500	Screw (3 req)
51B	1578100	51B-ATH3500	Bearing Ring
52	1578117	52-ATH4500	Drag Knob Assembly
56	1577926	56-ATH2500	Drag Washer
56A	1577927	56A-ATH2500	Drag Washer
56B	1577928	56B-ATH2500	Drag Washer
57	1192043	57-3000SG	Keyed Washer
57A	1577930	57A-ATH2500	Keyed Washer
59A	1578102	59A-ATH3500	Keyed Washer
95B	1489223	95B-SSV13500	Rotor Nut Cover
98C	1308082	98C-CF73000	Clutch/Sleeve Assembly
98H	1578103	98H-ATH3500	Clutch Washer
98W	1578104	98W-ATH3500	Clutch Washer
132	1577932	132-ATH2500	Roller Washer
132A	1577854	132A-ATH7500	Line Roller Bushing
132B	1577855	132B-ATH7500	O-Ring
132C	1578105	132C-ATH3500	Seal ring (2 req)
132D	1577934	132D-ATH2500	Roller Washer
226	1578106	226-ATH3500	Rear Cover
226A	1577858	226A-ATH7500	Rear Cover Screw
231	1578118	231-ATH4500	Crosswind Gear
231A	1577937	231A-ATH2500	Crosswind Gear Bearing
231B	1489230	231B-SSV13500	Crosswind Gear Screw
231C	1489231	231C-SSV13500	Crosswind Gear Washer
233	1578125	233-ATH4500HS	Bearing Cover Assembly
234	1578109	234-ATH3500	Transfer Gear
20	1577885	20-ATH2500	Ball Bearing (2 req)
20B	1578078	20B-ATH3500	Ball Bearing
20F	1578079	20F-ATH3500	Ball Bearing (2 req)
20G	1577888	20G-ATH2500	Ball Bearing
21	1578080	21-ATH3500	Bearing Retainer
21A	1207723	21A-1000SG	Bearing Retainer Screw (3 req)
21B	1489185	21B-SSV13500	Collar
21C	1489186	21C-SSV13500	Bearing Retainer O Ring (2 req)
21D	1577890	21D-ATH2500	Seal Holder
21E	1577891	21E-ATH2500	Pinion Gear Seal
22	1577821	22-ATH7500	Bail Pivot Cover Screw
24	1578111	24-ATH4500	Bail Wire
25	1578082	25-ATH3500	Bail Holder
27	1578112	27-ATH4500	Rotor
27A	1578113	27A-ATH4500	Bail Pivot Cover
28	1578114	28-ATH4500	Trip Lever

407-ATH4500HS Rev. 0 30-11-2021

1563160